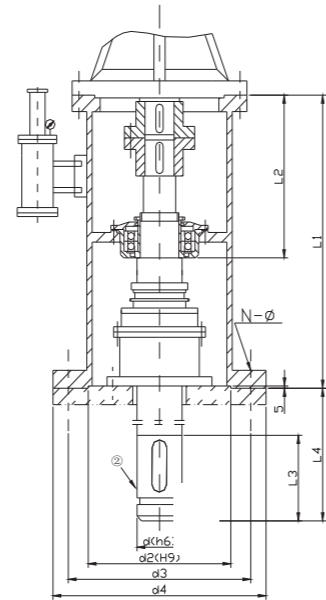


DJ、LDJ型搅拌传动密封装置

DJ, LDJ mixing, driving and sealing equipment



适用范围

立式反应釜。

Application

Vertical reactor.

结构特点

机架单轴承座结构，轴承作为一个支点。

可选铸铁结构或钢制结构。

钢制机架焊接后回火处理，无残余应力变形。

主要结构件的加工均使用数控，加工精度高。

如LDJ增高型结构仍无法满足安装高度要求，可特别提出定制。

根据用户需要，可实现远程监控。

Structure Features:

Single bearing structure, Bearing can act as a support point.

Cast iron or steel are for your option.

Tempering the steel mounting frame after welding. No stress deformation.

Numerical control machining .High precise machining.

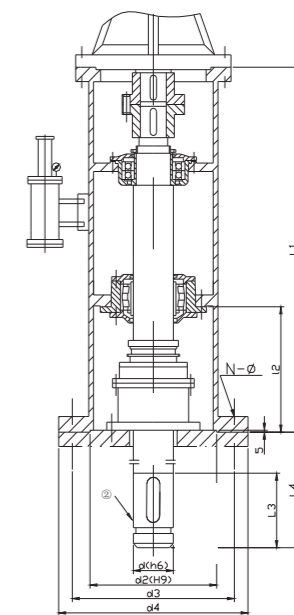
If the mounting height can not meet your requirement. A customer made is available.

Remote control can be realized.

机架代号 Mounting frame model	DJ型							LDJ型		N-Φ
	d	d2	d3	d4	L4	L3	L2	L1	L1	
DJ.LDJ30	40	240	285	315	500	85	320	550	700	12-14
DJ.LDJ35	50	260	320	360	500	100	334	600	750	12-14
DJ.LDJ40	50	260	320	360	500	100	334	600	750	12-14
DJ.LDJ45	65	260	320	360	500	130	338	600	750	12-14
DJ.LDJ55	65	325	400	435	500	130	372	660	760	12-14
DJ.LDJ65	80	350	420	460	600	145	447	720	870	12-18
DJ.LDJ70	80	350	420	460	700	145	447	720	870	12-18
DJ.LDJ80	90	380	455	495	800	170	495	785	935	12-18
DJ.LDJ90	110	430	510	555	800	200	519	805	950	12-23
DJ.LDJ100	125	480	560	600	800	225	535	820	1020	16-23
DJ.LDJ110	125	560	650	700	900	225	660	1100	1150	16-27
DJ.LDJ120	140	560	650	700	900	225	660	1200	1150	16-27
DJ.LDJ130	150	720	810	880	900	255	800	1200	1400	20-27
DJ.LDJ140	160	720	810	880	1000	255	800	1200	1400	20-27
DJ.LDJ150	171	840	940	1020	1000	385	790	1200	1400	16-33
DJ.LDJ160	180	840	940	1020	900	285	810	1200	1400	16-33
DJ.LDJ180	200	970	1080	1160	900	325	910	1280	1400	20-33

SJ、LSJ型搅拌传动密封装置

SJ, LSJ mixing, driving and sealing equipment



适用范围

立式反应釜。

Application

Vertical reactor.

结构特点

机架双轴承座结构，轴承作为两个支点。

可选铸铁结构或钢制结构。

钢制机架焊接后回火处理，无残余应力变形。

主要结构件的加工均使用数控，加工精度高。

如LSJ增高型结构仍无法满足安装高度要求，可特别提出定制。

根据用户需要，可实现远程监控。

Structure Features:

Double bearing structure, Bearing can act as two support points.

Cast iron or steel are for your option.

Tempering the steel mounting frame after welding. No stress deformation.

Numerical control machining .High precise machining.

If the mounting height can not meet your requirement. A customer made is available.

Remote control can be realized.

机架代号 Mounting frame model	SJ型						LSJ型				N-Φ
	d	d2	d3	d4	L4	L3	L2	L1	L2	L1	
SJ.LSJ35	50	260	320	360	500	100	316	970	466	1120	12-14
SJ.LSJ45	65	260	320	360	500	130	316	970	466	1120	12-14
SJ.LSJ55	65	325	400	435	500	130	312	1070	462	1220	12-14
SJ.LSJ65	80	350	420	460	500	145	307	1140	457	1290	12-18
SJ.LSJ70	80	350	420	460	500	145	307	1140	457	1290	12-18
SJ.LSJ80	90	380	455	495	600	170	354	1230	504	1380	12-23
SJ.LSJ90	110	430	510	555	700	200	363	1400	513	1550	12-23
SJ.LSJ100	125	480	560	600	800	225	367	1510	567	1710	16-23
SJ.LSJ110	125	560	560	700	800	225	373	1510	573	1710	16-27
SJ.LSJ120	140	560	560	700	800	225	373	1510	573	1710	16-27
SJ.LSJ130	150	720	720	880	900	255	374	1610	574	1810	20-27
SJ.LSJ140	160	720	720	880	900	255	374	1610	574	1810	20-27
SJ.LSJ150	170	840	840	1020	900	285	400	1660	600	1860	16-33
SJ.LSJ160	180	840	840	1020	1000	285	400	1660	600	1860	16-33
SJ.LSJ180	200	970	970	1160	1000	325	400	1710	600	1920	20-33